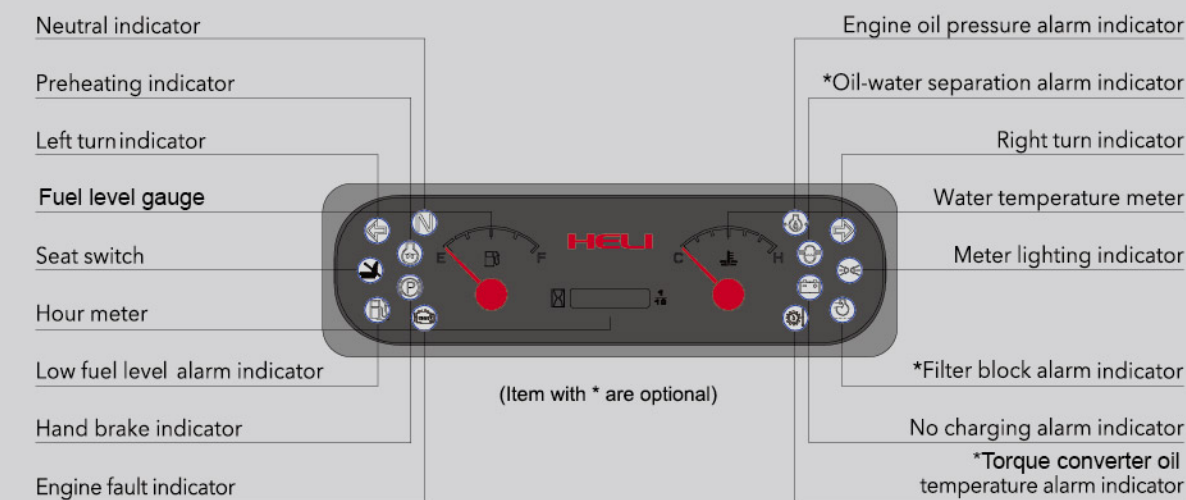


Heli Dash Display



Heli's display is conveniently placed on the dash so operator can monitor truck's working condition, fault codes and other vital information

Standard Configuration			
Horn	Transmission oil filter	Overhead guard rain cover	2 forward headlights
Control valve	Cable type parking brake	Standard forks	Hydraulic oil dipstick
Oil pressure alarm	Metric tool case	Hydraulic oil filter	Overhead guard
Hydraulic-powered steering	Complete front-rear light package	Wide view mast	Torque converter oil dipstick
Load backrest	Back-up alarm	Pneumatic tires (standard)	Combined instrument panel
Rear view mirror	Adjustable steering column	Tow pin	
Optional			
Cab	Solid tires	Wind shield w/wiper	Torque converter oil temperature meter
Amber flashing light	Non-marking tires	Fire extinguisher	Customer colors
Suspension seat	Wide carriage	Rear working light	Attachments



ANHUI HELI CO., LTD.
DISTRIBUTOR: ANHUI HELI INDUSTRIAL VEHICLE IMP. & EXP. CO., LTD.
ADD: NO 668 Fangxing Street, Hefei 230601, China
TEL: (86 551) 63639068, 63639566
FAX: (86 551) 63639966
WEBSITE: www.helichina.net

AUTHORIZED DEALER

Our products are subject to improvements and changes without notice.

Catalog No.190114 Fokeli Print



CPCD20-35 & CP(Q)YD20-35

4000-7000 lbs (2-3.5 ton) H3 IC Pneumatic Tire Forklift CPCD20-35 & CP(Q)YD20-35

Heli H3 Series Features Improved performance, superior quality



> Ergonomics

- > Vibration isolators separate the operator compartment from the main frame and the engine/transmission which absorb the truck's vibration for increased operator comfort
- > Engine performance and repositioned hydraulic pump offer quieter and smoother operation and less noise
- > Improved hydraulic control functions also reduce noise and increase performance

> Operator Comfort - Visibility

- > Operator compartment has been enhanced by creating more foot and leg room with plenty of head room under the overhead guard
- > Visibility has been improved with narrower mast channels and more open overhead guard
- > Higher contrast LED display makes it easier to see in all lighting conditions
- > Comfortable suspension seat is standard with full adjustment for different operators
- > Low, wide step and grab handle make for easy entry to operator's compartment
- > Controls and park brake are within easy reach to reduce operator strain

> Safety

- > All Heli forklifts for North America meet ANSI B56.1 Safety Standard for Powered Industrial Trucks as well as meeting requirements for CE approval
- > All Heli forklifts come standard with Operator Presence System
- > Optional rear grab handle and horn button allows operator to safely drive in reverse
- > Strobes, Beacons or Blue Lights and Alarms are all available as required

> Increased Productivity

- > Smaller turning radius and hydraulic power steering makes for tighter turns and easier steering operation
- > Reliable powershift transmission relieves operator from constantly shifting transmission
- > H3 series hydraulic performance has been enhanced for maximum productivity
- > Ergonomically designed operator's compartment enhances operator productivity, as well as providing safety and comfort

> Improved Performance

- > All aluminum radiator increases air flow and dissipates heat more efficiently
- > Smaller steering wheel with fewer turns lock-to-lock for quicker turns
- > 35% faster lifting speeds over previous generations
- > Lifting cylinders are damped to reduce noise and provide smoother operation
- > Heavy duty powertrain offers exceptional performance in all applications

> Serviceability

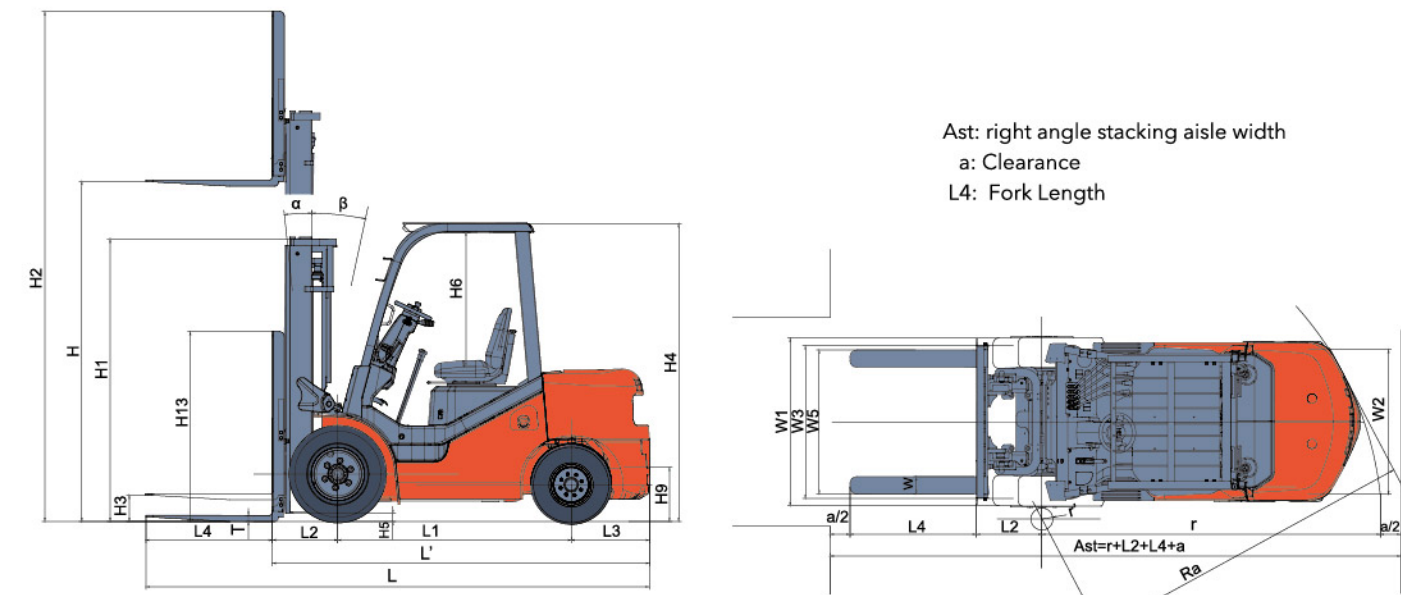
- > Hood opens to an 80 degree angle and floor board is removable for easier access to all important chassis components
- > Electrical system, wiring, and hydraulic hoses are convenient and logically laid out with access from above and below
- > All grease points are accessible, including cast steel axle
- > Lubrication chart is located on front of operator compartment to highlight essential lubrication requirements



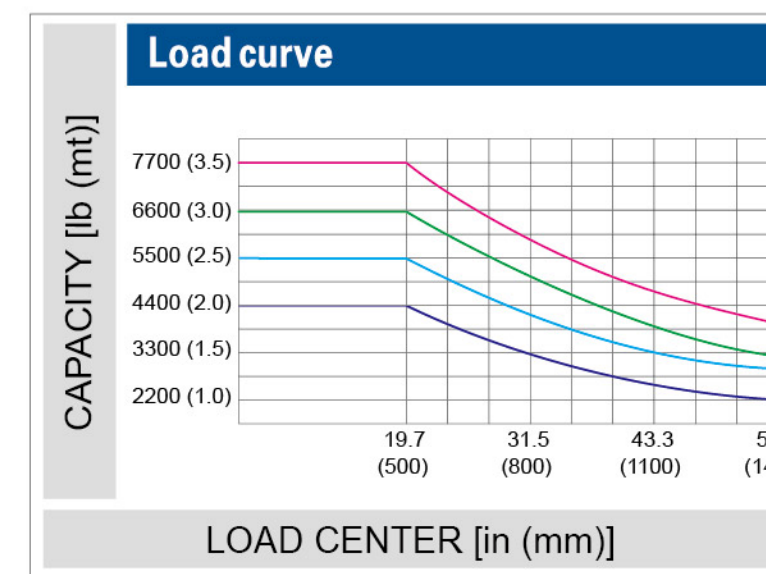
CPQC20-35 & CP(Q)YD20-35



Manufacturer and technical parameters													
Characteristic													
1.01	Manufacturer	HELI											
1.02	Model	CPCD20/ CP(Q)YD20			CPCD25/ CP(Q)YD25			CPCD30/ CP(Q)YD30			CPCD35/ CP(Q)YD35		
1.03	Rated Capacity	lbs	kg	4000	2000	5000	2500	6000	3000	7000	3500		
1.04	Load Center	in	mm	24	500	24	500	24	500	24	500		
1.05	Operation Type	Seat-type											
Dimension Parameter													
2.01	Max.Lifting Height(without backrest)	H	in	mm	118.2	3000	118.2	3000	118.2	3000	118.2	3000	
2.02	Overall Lowered Height	H1	in	mm	78.8	2000	78.8	2000	78.8	2000	78.8	2000	
2.03	Max.Lifting Height(with backrest)	H2	in	mm	158.8	4030	158.8	4030	167.3	4245	166.9	4235	
2.04	Free Lifting Height	H3	in	mm	6.5	165	6.5	165	6.3	160	6.7	170	
2.05	Overall Height(to overhead guard)	H4	in	mm	84.7	2150	84.7	2150	85.5	2170	85.5	2170	
2.06	Min.Ground Clearance(under mast)	H5	in	mm	4.5	115	4.5	115	5.3	135	5.3	135	
2.07	Overhead guard clearance(from seat face)	H6	in	in	40.6	1030	40.6	1030	40.6	1030	40.6	1030	
2.08	Tow Pin Height	H9	in	mm	10.8	275	10.8	275	11	280	11	280	
2.09	Backrest Height(From the surface of the fork)	H13	in	mm	39.4	1000	39.4	1000	48.3	1227	48.1	1222	
2.10	Overall Length(without Forks)	(L/L')	in	mm	101.7	2580	103.9	2638	108.3	2748	109	2766	
2.11	Wheelbase	L1	in	mm	65	1650	65	1650	67	1700	67	1700	
2.12	Front Overhang	L2	in	mm	18.6	473	18.6	473	18.8	478	19.5	496	
2.13	Rear Overhang	L3	in	mm	18	457	20.3	515	22.5	570	22.5	570	
2.14	Overall Width	W1	in	mm	45.3	1150	45.3	1150	48.3	1225	48.3	1225	
2.15	Tread(Front Tread/Rear Tread)	(W3/W2)	in	mm	38.2/38.2	970/970	38.2/38.2	970/970	39.4/38.2	1000/970	39.4/38.2	1000/970	
2.16	Lateral Fork Adjustment(Outside of Forks)	W5	in	mm	40.6/9.6	244/1030	40.6/9.6	244/1030	41.8/9.9	250/1060	41.8/9.9	250/1060	
2.17	Min.Turning Radius Outside	r	in	mm	85.5	2170	88.3	2240	94.6	2400	95.3	2420	
2.18	Min.Ground Clearance(wheelbase centre)	r'	in	mm	7.1	180	7.1	180	7.9	200	7.9	200	
2.19	Min. Right Angle Stacking Aside Width	Ra	in	mm	86.7	2200	89.8	2280	93.8	2380	94.6	2400	
2.20	Mast Tilt(fwd/bwd)	α/β	deg	deg	6/12	6/12	6/12	6/12	6/12	6/12	6/12		
2.21	Fork Dimensions (Length*Width*Thicknes)	L4×W×T	in	mm	36*4.8*1.6	920*122*40	42*4.8*1.6	1070*122*40	42*4.9*1.8	1070*125*45	42*4.9*2.0	1070*125*50	
Weights													
3.01	Standard Truck Weight Unload	lbs	kg	7540	3420	8377	3800	9634	4370	10582	4800		
3.02	Weight Distribution Rated Load(front/rear)	lbs	kg	10516/1433	4770/650	12081/1808	5480/820	14242/2006	6460/910	16468/1830	7470/830		
3.03	Weight Distribution Unload(front/rear)	lbs	kg	3527/4013	1600/1820	3439/4938	1560/2240	3770/5864	1710/2660	4145/6437	1880/2920		
Wheels&Tires													
4.01	Wheel Number(x=driven wheel),front/rear	2X/2											
4.02	Tire Type,front/rear	Pneumatic Tire											
4.03	Tire Size,front/rear	7.00-12-12PR/ 6.00-9-10PR											
4.04	Service Brake	Hydraulic-Foot Pedal											
4.05	Parking Brake	Mechanical-Hand Lever											



Ast: right angle stacking aisle width
a: Clearance
L4: Fork Length



CP(Q)YD20
CP(Q)YD25
CPCD20
CPCD25
CP(Q)YD30
CPCD30
CP(Q)YD35
CPCD35

NOTE: Capacities shown are reference only. They are computed with mast in vertical position based on 48 inch cube load configuration with center of gravity at true center of cube and standard forks. Longer forks and unusually wide loads can reduce capacity. Consult dealer for any questions about capacities.

Performance																				
Model	CPCD20			CPCD25			CPCD30			CPCD35			CP(Q)YD20		CP(Q)YD25		CP(Q)YD30		CP(Q)YD35	
Max.Drawbar pull(Load/unload)	lbf	KN	4280/2740	19/12	4688/2740	21/12	4275/3263	19/14.5	4725/3263	21/14.5	3375/2363	15/10.5	3375/2363	15/10.5	3825/3038	17/13.5	4050/3038	18/13.5		
Max.Gradeability(Load/Unload)	%	%	39/27		36/22		33/26		31/22		31/22		31/22		31/22		18/21			
Max.Traveling Speed(Load/Unload)	mph	Km/h	10.6/11.2	17/18	9.9/10.6	16/17	10.6/11.2	17/18	11.2/11.8	18/19	11.2/11.8	18/19	11.2/11.8	18/19	11.8/11.8	19/19	11.8/11.8	19/19		
Lifting Speed(Load/unload)	ft/min	mm/s	110/118	560/600	110/118	560/600	98.5/108	500/550	78.8/82.7	400/420	98.5/108	500/550	98.5/108	500/550	80.8/88.7	480/540	80.8/88.7	410/450		
Lowering Speed(Load/unload)	ft/min	mm/s	88.7/98.5	450/500	88.7/98.5	450/500	88.7/108	450/500	69/78.8	350/400	88.7/98.5	450/500	88.7/98.5	450/500	69/78.8	350/400	69/78.8	350/400		
Engine and Gearbox																				
Engine Manufacturer/Model	KUBOTA V2403											Mitsubishi 4G64(PSI)								
Rated Power	hp/rpm	Kw/rpm	57.9/2400	43.2/2400	57.9/2400	43.2/2400	57.9/2400	43.2/2400	57.9/2400	43.2/2400	GAS:64.3/2700 LPG:61.4/2700	GAS:48/2700 LPG:46/2700	GAS:64.3/2700 LPG:61.4/2700	GAS:48/2700 LPG:46/2700	GAS:64.3/2700 LPG:61.4/2700	GAS:48/2700 LPG:46/2700	GAS:64.3/2700 LPG:61.4/2700	GAS:48/2700 LPG:46/2700		
Rated Torque	lb.ft/rpm	Nm/rpm	146.4/1600	198.5/1600	146.4/1600	198.5/1600	146.4/1600	198.5/1600	146.4/1600	198.5/1600	GAS:125.3/2400 LPG:124/1600	GAS:125.3/2400 LPG:124/1600	GAS:125.3/2400 LPG:124/1600	GAS:125.3/2400 LPG:124/1600	GAS:125.3/2400 LPG:124/1600	GAS:125.3/2400 LPG:124/1600	GAS:125.3/2400 LPG:124/1600	GAS:125.3/2400 LPG:124/1600		
Cyl.Number-bore*stroke	4-87x102.4											4-86.5x100								
Displacement	2.434											2.351								
Engine Type	Diesel											GAS/LPG								
Emission	Euro IIIb / EPA Tier 4											EPA / CARB								
Battery Capacity	V/Ah	V/Ah	12/80										12/60							
Fuel Tank Capacity	L	L																		
Number of speed(fwd/bwd)	4											1-1 Power Shift T/M / 2-2 Manual Shift T/M								

Wide view basic type mast														
Mast type	Max. lifting height	Loading capacity-loading center 24 inch					Mast Overall Height-fork to the ground			Service Weight				Mast tilt angle (Fwd/Bwd) deg
		CPQC20/ CP(Q)YD20	CPQC25/ CP(Q)YD25	CPQC30/ CP(Q)YD30	CPQC35/ CP(Q)YD35	2-2.5t	3t	3.5t	CPQC20/ CP(Q)YD20	CPQC25/ CP(Q)YD25	CPQC30/ CP(Q)YD30	CPQC35/ CP(Q)YD35		
M200	79/2000	4000/1820	5000/2270	6000/2730	7000/3175	59/1500	62/1570	66/1680	7363/3340	8201/3720	9435/4280	10361/4700	6/12	
M250	99/2500	4000/1820	5000/2270	6000/2730	7000/3175	69/1750	72/1820	76/1930	7462/3385	8300/3765	9556/4335	10471/4750	6/12	
M300	118/3000	4000/1820	5000/2270	6000/2730	7000/3175	79/2000	82/2070	86/2180	7539/3420	8377/3800	9634/4370	10582/4800	6/12	
M330	130/3300	4000/1820	5000/2270	6000/2730	7000/3175	85/2150	87/2220	92/2330	7627/3460	8465/3840	9689/4395	10648/4830	6/12	
M350	138/3500	4000/1820	5000/2270	6000/2730	7000/3175	89/2250	91/2320	96/2430	7672/3480	8509/3860	9744/4420	10692/4850	6/12	
M370	146/3700	4000/1820	5000/2270	6000/2730	7000/3175	93/2350	95/2420	100/2530	7716/3500	8553/3880	9766/4430	10736/4870	6/12	
M400	158/4000	4000/1820	5000/2270	6000/2730	7000/3175	100/2550	103/2620	108/2730	7859/3565	8697/3945	9898/4490	10890/4940	6/12	
M425	168/4250	3800/1725	4500/2040	5700/2585	6200/2815	105/2675	108/2745	112/2855	7914/3590	8752/3970	9942/4510	10956/4970	6/12	
M450	177/4500	3800/1725	4500/2040	5700/2585	6200/2815	110/2800	113/2870	117/2980	7969/3615	8807/3995	9997/4535	11000/4990	6/12	
M500	197/5000	3400/1540	4300/1795	5200/2360	6000/2730	120/3050	123/3120	127/3230	8057/3655	8895/4035	10086/4575	11111/5040	6/12	
M550	217/5500	3200/1450	3900/1770	4800/2175	5700/2585	132/3350	135/3420	139/3530	8245/3740	9082/4120	10460/4745	11563/5245	6/12	
M600	236/6000	3000/1360	3600/1630	4400/1995	5300/2405	142/3600	145/3670	149/3780	8344/3785	9182/4165	10571/4795	11651/5285	6/12	

Note:(1) *stands for the rated capacity when the front tire is double-tire.
(2) When the front tire of the 4000-7000lbs truck is double tire, the service weight of the truck is the weight in the table plus 242lbs.

Wide view Full Free 2-stage mast																	
Mast type	Max. lifting height	Loading capacity-loading center 24 inch					Mast Overall Height-fork to the ground			Free Lifting Height-with backrest			Service Weight				Mast tilt angle (Fwd/Bwd) deg
		CP(Q)YD20	CP(Q)YD25	CP(Q)YD30	CP(Q)YD35	2-2.5t	3t	3.5t	2-2.5t	3t	3.5t	CP(Q)YD20	CP(Q)YD25	CP(Q)YD30	CP(Q)YD35		
ZM200	79/2000	4000/1820	5000/2270	6000/2730	7000/3175	59/1500	62/1570	66/1680	20/495	13/340	18/460	7650/3470	8488/3850	9546/4330	10516/4770	6/12	
ZM250	99/2500	4000/1820	5000/2270	6000/2730	7000/3175	69/1750	72/1820	76/1930	29/745	23/590	28/710	7749/3515	8587/3895	9634/4370	10626/4820	6/12	
ZM300	118/3000	4000/1820	5000/2270	6000/2730	7000/3175	79/2000	82/2070	86/2180	39/995	33/840	39/995	8078/3645	8917/3945	9744/4420	10736/4870	6/12	
ZM330	130/3300	4000/1820	5000/2270	6000/2730	7000/3175	85/2150	87/2220	92/2330	45/1145	39/990	43/1100	7926/3595	8763/3975	9799/4445	10792/4895	6/12	
ZM350	138/3500	4000/1820	5000/2270	6000/2730	7000/3175	89/2250	91/2320	96/2430	49/1245	43/1090	48/1210	7970/3615	8807/3995	9844/4465	10836/4915	6/12	
ZM370	146/3700	4000/1820	5000/2270	6000/2730	7000/3175	93/2350	95/2420	100/2530	54/1370	47/1205	52/1310	8016/3635	8851/4015	9877/4480	10880/4935	6/12	
ZM400	158/4000	4000/1820	5000/2270	6000/2730	7000/3175	100/2550	103/2620	108/2730	61/1545	55/1390	59/1510	8168/3705	9006/4085	10031/4550	11023/5000	6/12	
ZM425	168/4250	3800/1725	4500/2040	5700/2585	6200/2815	105/2675	108/2745	112/2855	66								